

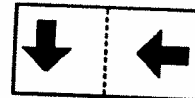
# MATH SUPERSTARS – 4

Jupiter, XXIII

Name: \_\_\_\_\_

(This shows my own thinking.)

- ★★ 1. The design to the right was drawn on a piece of clear plastic. The plastic was turned  $180^\circ$  clockwise, which is half of a complete rotation. It was then flipped over on the dotted line. Circle the picture below that shows how the design looks after these movements.



- ★★ 2. If the heaviest dog in the world is 310 pounds and the next-heaviest is 14 pounds less, how much does the next-heaviest dog weigh?

Answer: \_\_\_\_\_ pounds



- ★★ 3. Sunae's group of close friends are going to fifth grade in September. All are going to Belleview Elementary and their homerooms will be rooms 12, 14, or 16. All of her friends but 4 are going to room 12, all but 4 are going to room 14, and all but 4 are going to room 16. Not counting Sunae, how many children are in her group of close friends?

Answer: \_\_\_\_\_ friends

- ★★★ 4. Sam and Suzie are twins. Sam has as many brothers as he has sisters -- Suzie has at least 1 sister, and twice as many brothers as sisters. How many kids are in the family altogether?

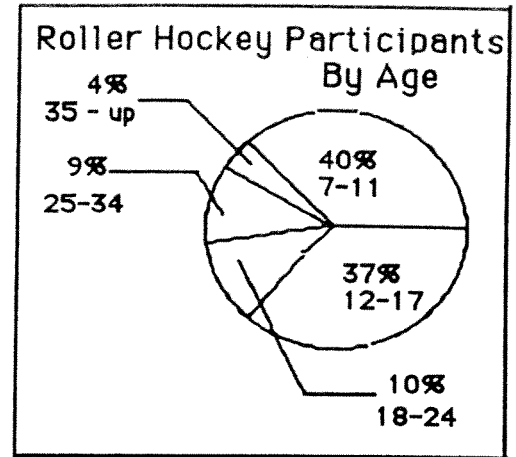
Answer: \_\_\_\_\_ kids

- ★★ 5. Josh bought a shirt for \$12.95, a belt for \$6.95, and a pair of jeans for \$27.97. The tax came to \$3.35. How much change did he receive if he gave the clerk 2 twenty-dollar bills and 2 ten-dollar bills?

Answer: \$ \_\_\_\_\_

★★★ 6. Danny's age is 13 and his favorite sport is roller hockey. Answer the questions about roller hockey participants using the circle graph below.

- a. How many ages are included in Danny's age group? \_\_\_\_\_
- b. List the age groups from greatest to least based upon their percent of participation.



Age Group	% Participation
_____	_____
_____	_____
_____	_____
_____	_____
_____	_____

c. Use the data from part (b) to make a conclusion about participation in roller hockey as you get older:

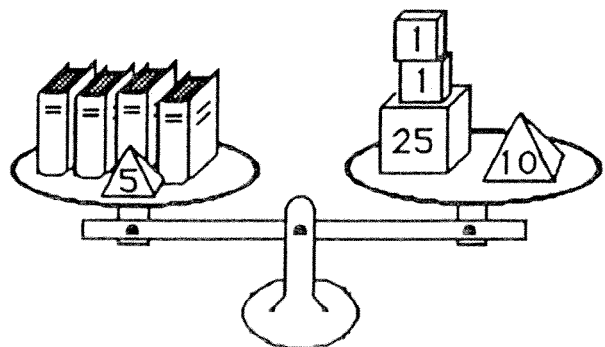
Answer: \_\_\_\_\_

★★ 7. What number am I?

Answer: \_\_\_\_\_

- I am even.
- I am not  $7 \times 10$  or less.
- I am not a multiple of 4.
- I am not a multiple of 3.
- I am less than  $10 \times 10 - 20$ .

★★★★ 8. Four identical books and a 5-ounce weight balance 37 ounces. The equation  $4x + 5 = 37$  expresses this situation, where  $x$  is the weight of 1 book. How much does 1 book weigh?



Answer:  $x =$  \_\_\_\_\_ ounces